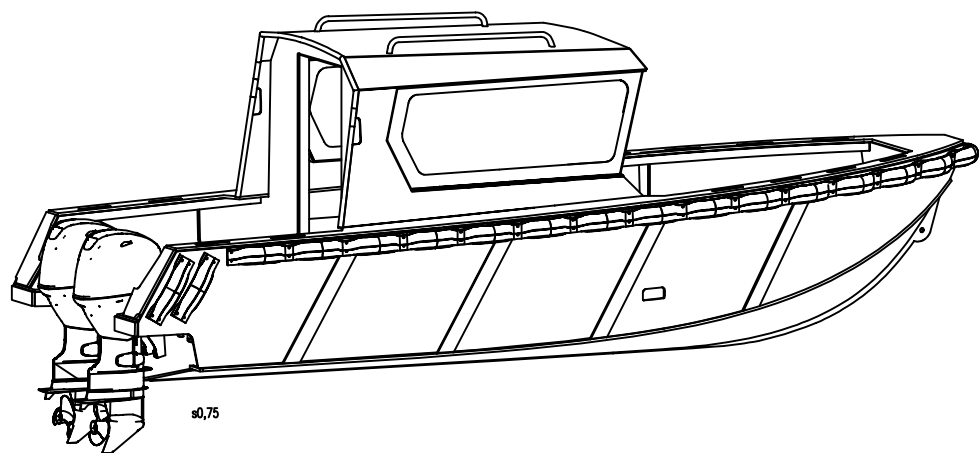
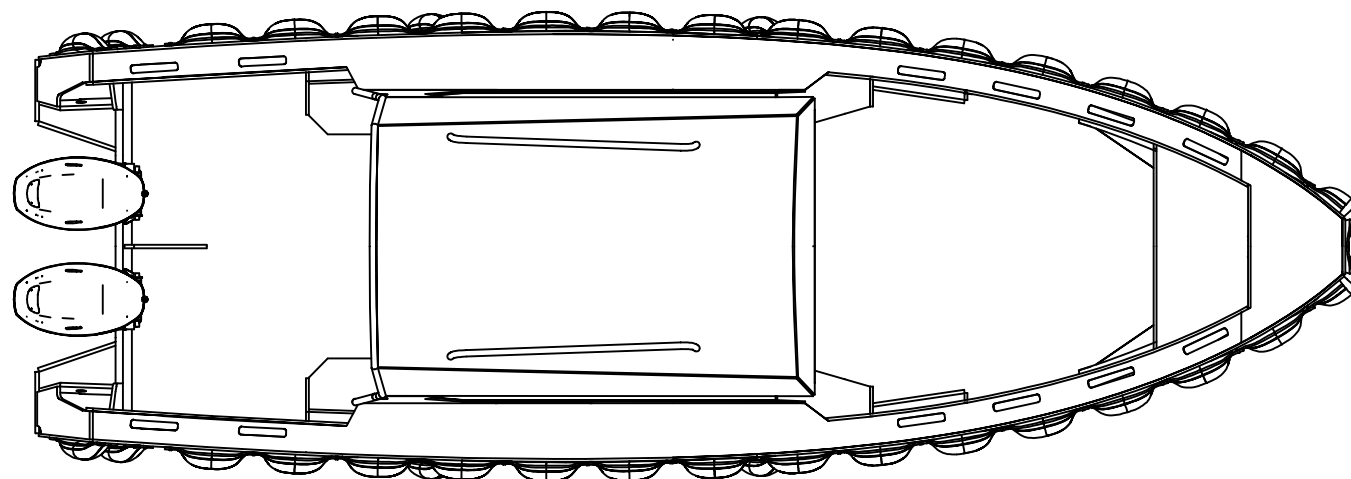


CWL350
(average draught)
BASE



ø0,75



Main particulars

Length 7.00 [m]
 Beam 2.35 [m]
 Draft (hull) 0.35–0.40 [m]
 Weight without engine(s) approx. 1400 [kg]
 Propulsion twin outboard 25' shaft

	Nieuwendammerkade 28C3 1022 AB Amsterdam The Netherlands		www.tidemanboats.com bruno@tidemanboats.com +31 6 292 005 17		
	DRAWN TIDEMAN BOATS	CHECKED B.A. de Vries	FORMAT A3	SCALE 1:40	PROJECTION
	APPROVED B. Tideman	DATE 16-04-2020			
HDPE RBB 700 20B MKii CABIN – GENERAL ARRANGEMENT					
TYPE RBB 700 Twin Outboard MKii with HDPE Cabin	YARD NO contractor	DWG NO	REF	REVISION —	
	YARD NO building yard				